

SPARE PARTS LIST

f o r

Infrared oil heater

Model

VAL6

Daystar

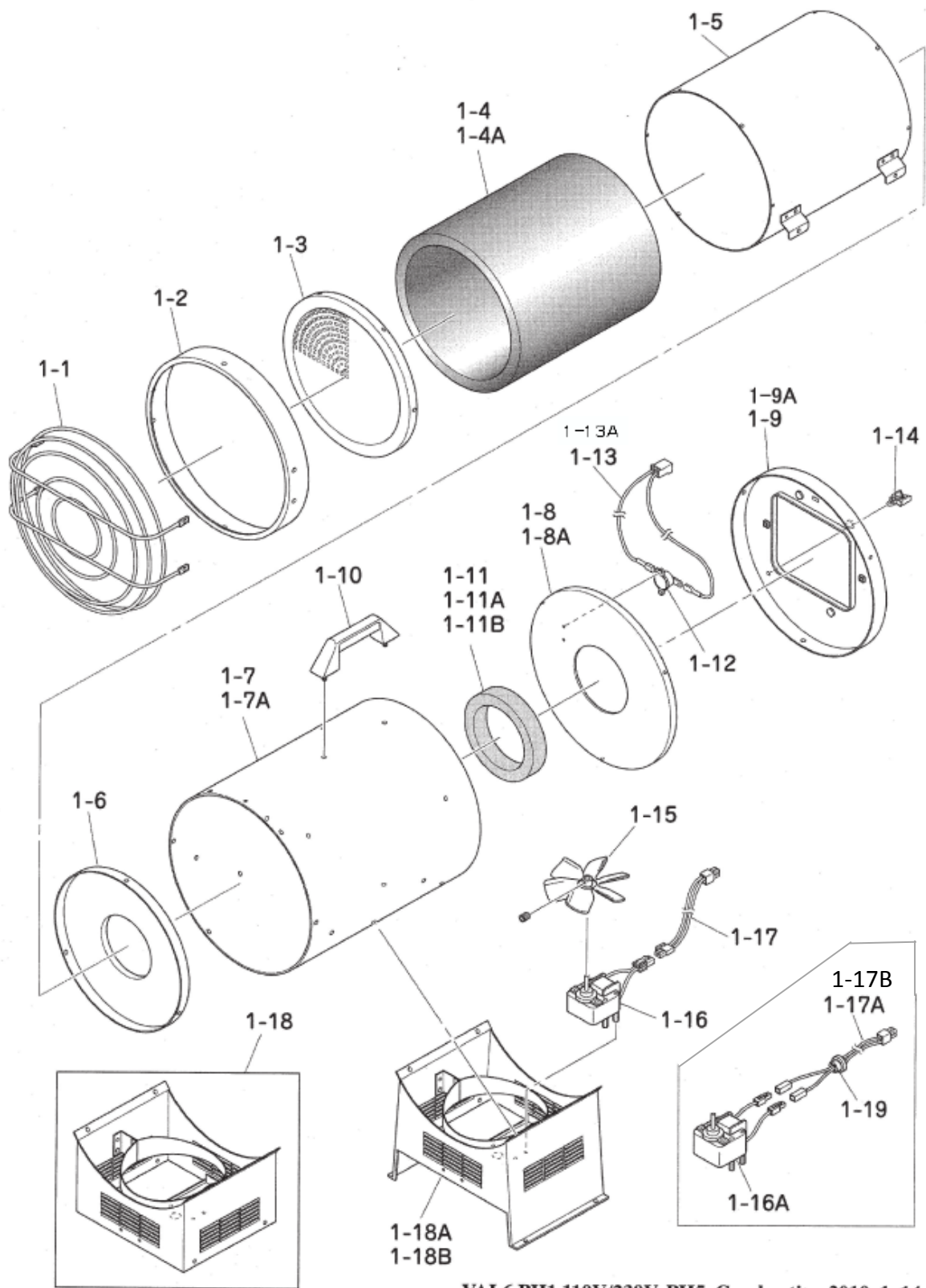
Type

◆ PH5 for 120V 60Hz

March 2021

Shizuoka Seiki Co., Ltd.

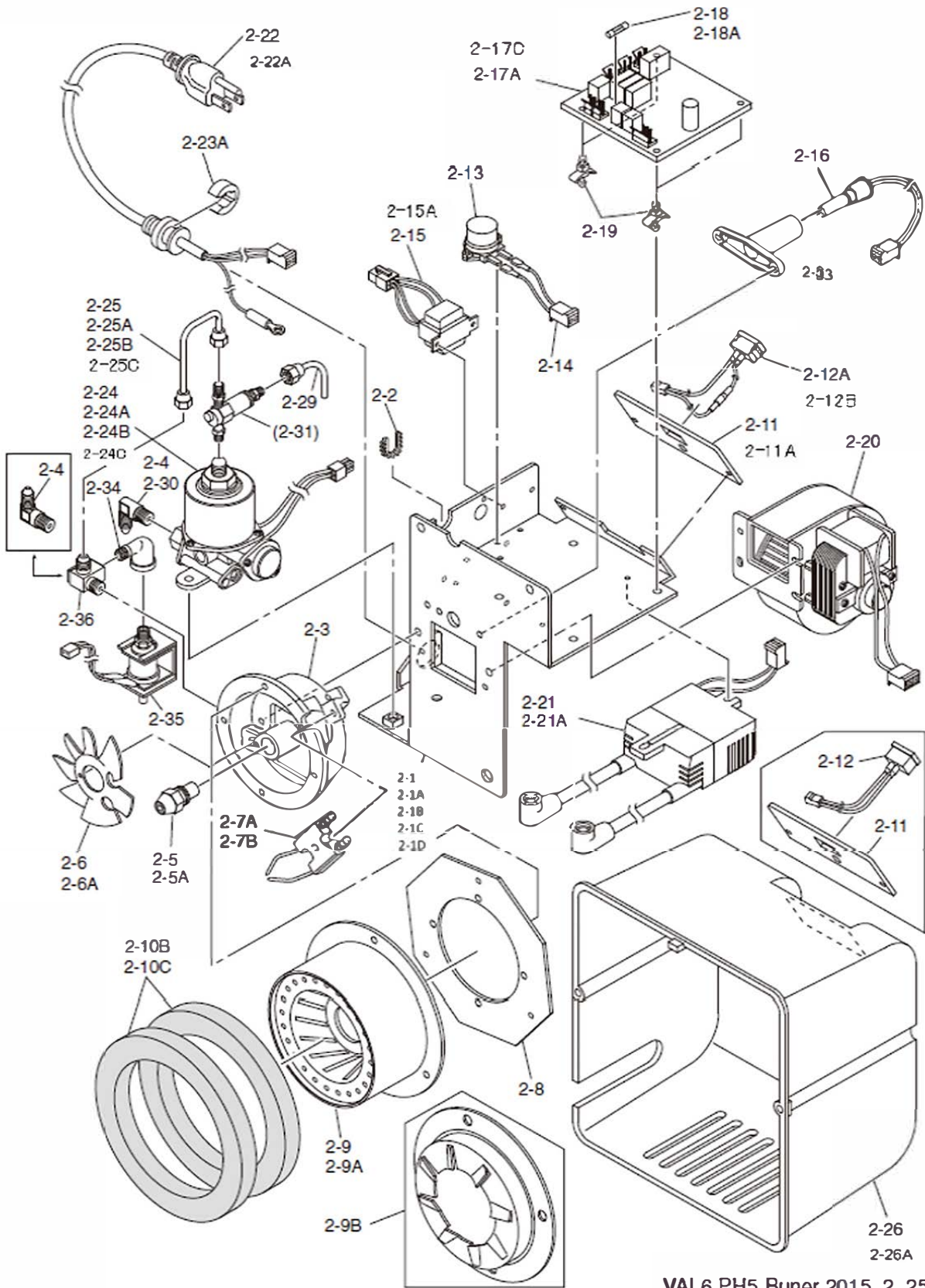
* PRICES AND SPECIFICATIONS ARE SUBJECT TO CHANGE WITHOUT NOTICE.*



VAL6 PH1 110V/230V, PH5 Combustion 2010. 1. 14

□-mark means that the parts supply period is over and there are limited numbers of stock.

PART NO.	PART NAME < COMBUSTION >	CODE NO.	JSO NO	QTY /SET	PH5	REMARKS
1-1	Protector Assembly	50317101004	VAL-DS-R-01	1	●	
1-2	Drum Front Ring	50319201002	VAL-DS-R-02	1	●	
1-3	Radiation Disk	50317201002	VAL-DS-R-03	1	●	
1-4	Insulator	50317201004	VAL-DS-R-04	1	□	till 2009
1-4A		50317201012	VAL-DS-R-04A	1	●	from 2010, F-01
1-5	Outer Cylinder	50317101003	VAL-DS-R-05	1	●	
1-6	Cylinder End	50310201012	VAL-DS-R-06	1	●	discontinued from 2010
1-7	Drum	50317201001	VAL-DS-R-07	1	N/A	till 2005
1-7A		50317201008	VAL-DS-R-07A	1	●	from 2006
1-8	Heat Shield Plate	50310201008	VAL-DS-R-08	1	□	till 2009
1-8A		50317201011	VAL-DS-R-08A	1	●	from 2010, F-01
1-9	Drum End	50317201003	VAL-DS-R-09	1	N/A	till 2009(G-01)
1-9A		50317201014	VAL-DS-R-09A	1	●	from 2010(F-01)
1-10	Grip	50310201022	VAL-DS-R-10	1	●	
1-11	Burner Cone Packing	50310201021	VAL-DS-R-11	1	□	till 2005
1-11A	Burner Draft Packing	50317201009	VAL-DS-R-11A	1	□	used for burner from 2006, J-01 till 2009
1-11B	Combustion Chamber Packing	50317201013	VAL-DS-R-11B	1	●	from 2010, F-01
1-12	Overheat Sensor	50229202061	VAL-DS-R-12	1	●	A80
1-13	Overheat Sensor Cable	50310201024	VAL-DS-R-13	1	●	till 2012
1-13A	Tip-Over & Overheat Sensor Cable	50317201015	VAL-DS-R-13A	1	●	from 2013(C-01)
1-14	Cable Clip	50310201025	VAL-DS-R-14	1	●	
1-15	Blower Fan	50310201020	VAL-DS-R-15	1	●	
1-16	Blower Motor	50310201019	VAL-DS-R-16	1	□	till 2009, G-01
1-16A		50317201010	VAL-DS-R-16A	1	●	from 2009,G-02
1-17	Relay Cable	50310202018	VAL-DS-R-17	1	□	till 2009, G-01
1-17A		50317203019	VAL-DS-R-17A	1	●	from 2009 G-02 till 2012
1-17B		50317203020	VAL-DS-R-17B	1	●	from 2013(C-01)
1-18	Drum Base	50319101003	VAL-DS-R-18	1	N/A	till 2004
1-18A		50317103009	VAL-DS-R-18A	1	□	from 2005 N-01, till 2009 G-01
1-18B		50317103012	VAL-DS-R-18B	1	●	from 2009, G-02
1-19	Motor Cord Bushing	50320202018	VAL-DS-R-19	1	●	from 2009, G-02



VAL6 PH5 Buner 2015. 2. 25

□-mark means that the parts supply period is over and there are limited numbers of stock.

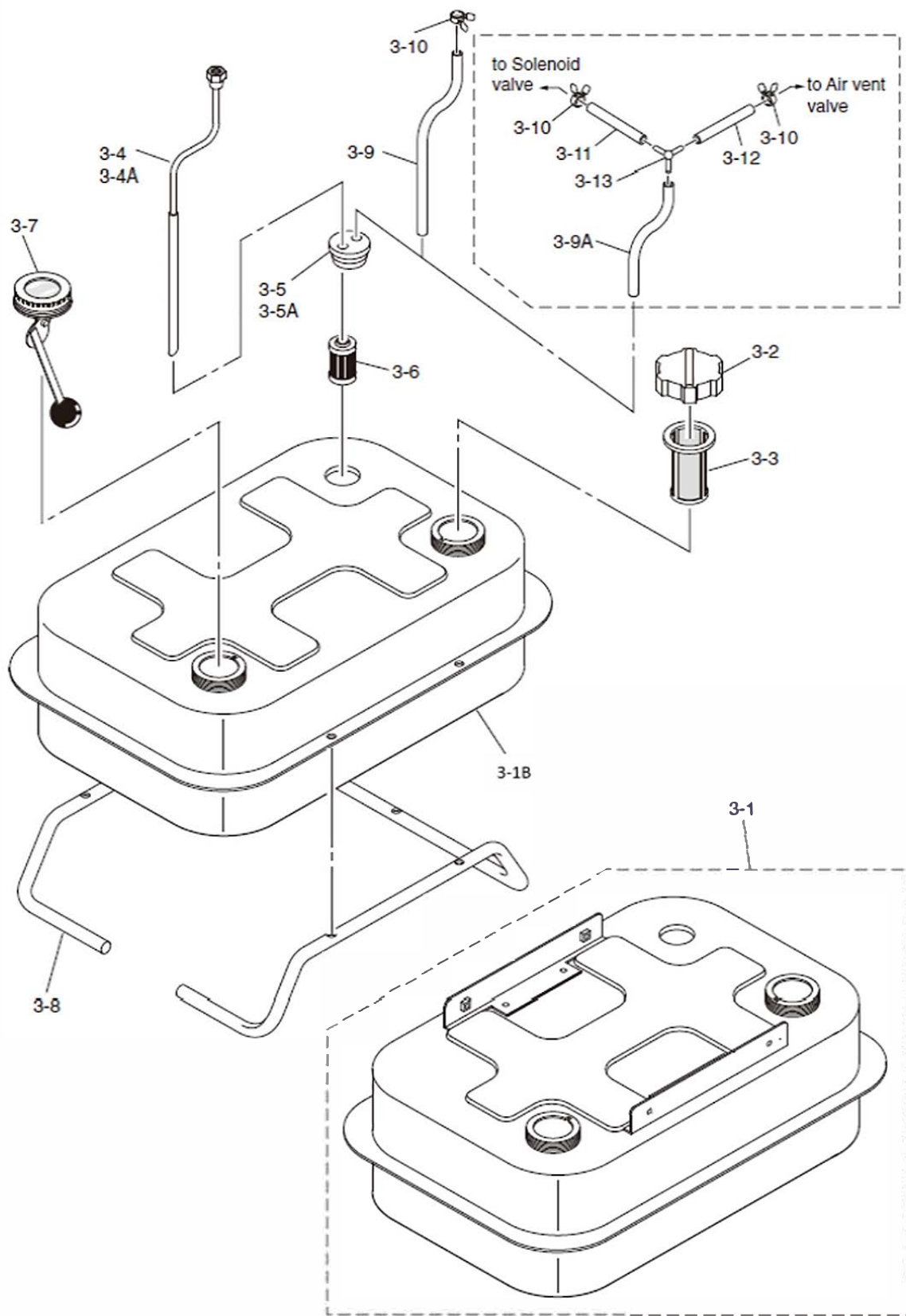
PART NO.	PART NAME < COMBUSTION >	CODE NO.	JSO NO	QTY /SET	PH5	REMARKS
2-1	Burner Base	50310102003	VAL-DS-B-01	1	□	till 2005
2-1A		50317102007	VAL-DS-B-01A	1	●	for 2006 Jlot
2-1B		50319102007	VAL-DS-B-01B	1	●	from 2007 I-01, till 2009,G-03
2-1C		50319102011	VAL-DS-B-01C	1	●	from 2010 F-01, till 2012
2-1D		50317102014	VAL-DS-B-01D	1	●	from 2013, C-01
2-2	Free Grommet	50263202010	VAL-DS-B-02	1	●	
2-3	Diffuser	50262202001	VAL-DS-B-03	1	●	
2-4	Pump Nipple	50204201025	VAL-DS-B-04	2	●	1 pc from 2006 N-02, till 2012
2-5	Nozzle	50317202010	VAL-DS-B-05	1	□	till 2005
2-5A		50319202013	VAL-DS-B-05A	1	●	from 2006
2-6	Whirl Vane	50300201007		1	N/A	discontinued from 2008
		50319202024	VAL-DS-B-06	1	□	from 2008 (H-01) , till 2009
2-6A		50319202027	VAL-DS-B-06A	1	●	from 2010, F-01
2-7*	Electrode	50262202010	VAL-DS-B-07	1	□	till 2004 discontinued
2-7A		50303201010	VAL-DS-B-07A	1	●	for 2005, N-01
2-7B		50319202017	VAL-DS-B-07B	1	●	from 2006
2-8	Burner Cone Bracket	50310202004	VAL-DS-B-08	1	□	discontinued from 2010
2-9	Burner Cone	50317102005	VAL-DS-B-09	1	□	till 2005
2-9A		50319102006	VAL-DS-B-09A	1	□	from 2006, J-01, till 2009
2-9B		50319202026	VAL-DS-B-09B	1	●	from 2010, F-01
2-10*	Burner Packing	50310202014	VAL-DS-B-10	1	●	till 2005 (N-lot)
2-10A	Burner Draft Packing	50317201009		2	N/A	same as 1-11A, from 2006 (J-lot) till 2007, from 2008 used for 1-11A only Please see 1-11A.
2-10B	Burner Packing	50319202025	VAL-DS-B-10B	2	N/A	from 2008(H-01), till 2009 Changed back to B-10B
2-10C		50319202028	VAL-DS-B-10C	1	●	from 2010, F-01
2-11	Face Plate with sticker	50317102009	VAL-DS-B-11	1	N/A	till 2006/07 50317202006
2-11A		50317102010	VAL-DS-B-11A	1	●	from 2007 I-01, 50317202006
2-12	Switch Assembly	50310102005	VAL-DS-B-12	1	□	till 2006
2-12A		50317102006	VAL-DS-B-12A	1	●	from 2006,J-01 with terminals for thermostat till 2012
2-12B		50317102011	VAL-DS-B-12B	1	●	from 2013,C-01
2-13	Tip-Over Switch	50298202015	VAL-DS-B-13	1	●	
2-14	Tip-Over Switch Cable	50310202017	VAL-DS-B-14	1	●	till 2012
2-15	Transformer	50300201005	VAL-DS-B-15	1	●	till 2012
2-15A		50346202008	VAL-DS-B-15A	1	●	from 2013,C-01
2-16	Flame Monitor	50262102008	VAL-DS-B-16	1	●	with 2-33 flame holder till 2015 A-02
2-16A		50306101003	VAL-DS-B-16A	1	●	w/o flame holder from 2016 Z-01 (This flame monitor is available for PH5 produced from 2013 C-01.)

□-mark means that the parts supply period is over
and there are limited numbers of stock.

PART NO.	PART NAME < COMBUSTION >	CODE NO.	JSO NO	Q'TY /SET	PH5	REMARKS
2-17	Burner Control	50317202002	VAL-DS-B-17	1	N/A	till 2004/05, PH5:changed to 50310202012 and 3A midget fuse(50310202023)
2-17A		50310202012	VAL-DS-B-17A	1	N/A	from 2005,N-01 till 2012, by being discontinued, changed to 50310202025
		50310202025		1	●	
2-17C		50317202024	VAL-DS-B-17C	1	●	from 2013,C-01
2-18	Fuse(3A)	50204201061	VAL-DS-B-18	1	□	till 2004/05
2-18A	Midget Fuse (3A)	50310202023	VAL-DS-B-18A	1	●	from 2005,N-01
2-19	Control Support	50229201037	VAL-DS-B-19	4	●	
2-20	Fan Motor	50317202011	VAL-DS-B-20	1	●	till 2017/2018
		50317202030		1	●	from 2018 V-01
2-21	Ignition Device	50310202011	VAL-DS-B-21	1	N/A	till 2005/06
2-21A		50317202016	VAL-DS-B-21A	1	●	from 2006,J-01 till2017/2018
		50346202023		1	●	from 2019
2-22	Power Cable	50317202005	VAL-DS-B-22	1	●	mold plug + 2-23A till 2012
2-22A		50317202023	VAL-DS-B-22A	1	●	from 2013, C-01
2-23A	Cable Stopper	50205201017	VAL-DS-B-23A	1	●	from 2006 J-01
2-24	Fuel Pump	50317202001	VAL-DS-B-24	1	N/A	till 2004
2-24A		50317202012	VAL-DS-B-24A	1	□	for 2005, N-01
2-24B		50317202015	VAL-DS-B-24B	1	●	from 2006, J-01 with 2-31 till 2012
2-24C		50317202027	VAL-DS-B-24C	1	●	from 2013, C-01
2-25	Fuel Outlet Line	50310202010	VAL-DS-B-25	1	□	till 2004
2-25A		50317202013	VAL-DS-B-25A	1	□	for 2005, N-01
2-25B		50319202014	VAL-DS-B-25B	1	●	from 2006 J-01 to 2012
2-25C	Fuel Outlet Line	50317202028	VAL-DS-B-25C	1	●	from 2013 C-01
2-26	Housing with caution and danger stickers	50317102004	VAL-DS-B-26	1	●	till 2012
2-26A		50317102012	VAL-DS-B-26A	1	●	from 2013, C-01
2-29	Return Line	50319202015	VAL-DS-B-29	1	●	from 2006, J-01 to 2012
2-30	Pump Elbow	21300503-55	VAL-DS-B-30	1	●	from 2006, N-02
2-31	Air Vent Valve	21062003-67	VAL-DS-B-31	(1)	●	from 2006, N-02
		50335201041		(1)	●	from 2013, C-01
2-33	Flame Monitor Holder	50262202029	VAL-DS-B-33	1	●	from 2006, J-01
2-34	Street Elbow	50317202029	VAL-DS-B-34	1	●	from 2013, C-01
2-35	Solenoid Valve	50346202020	VAL-DS-B-35	1	●	from 2013, C-01
2-36	Three-Way Joint	50347202018	VAL-DS-B-36	1	●	from 2013, C-01
*	Repair Set (Nozzle Wrench, Fuse, Element, Nozzle	50317180001			●	

※not shown in drawing

210254



□-mark means that the parts supply period is over and there are limited numbers of stock.

PART NO.	PART NAME < COMBUSTION >	CODE NO.	JSO NO	Q'TY /SET	PH5	REMARKS
3-1	Fuel Tank	50319103002	VAL-DS-T-01	1	□	10L including 3-2,3-3,3-7 till 2004
3-1A		50317103007	VAL-DS-T-01A	1	N/A	Replace to 50319180002 10L including 3-2,3-3,3-7 from 2005. N-01
		50317103006		1	N/A	Replace to 50317180002 w/o 3-3 tank filter
3-1B		50317180002	VAL-DS-T-01B	1	□	from 2015 till 2016, including 3-2, 3-7 to 50317180A02
		50317180A02		1	●	from 2017 including 3-2,3-7
3-2	Filler Cap	50317103003	VAL-DS-T-02	1	●	
3-3	Tank Inlet Filter	50263203028	VAL-DS-T-03	1	●	till 2008
3-4	Suction Pipe Assembly	50310103004	VAL-DS-T-04	1	□	till 2005
3-4A		50317103011	VAL-DS-T-04A	1	●	from 2006 till 2012
3-4B		50317103014	VAL-DS-T-04B	1	●	from 2013, C-01
3-5	Float Switch Seal	50238203003	VAL-DS-T-05	1	□	till 2005
3-5A	Suction Return Packing	50317203013	VAL-DS-T-05A	1	●	from 2006
3-6	Filter Element	50317203004	VAL-DS-T-06	1	●	15μ
3-7	Fuel Gauge	50317103002	VAL-DS-T-07	1	●	till 2016
		50310203008	VAL-DS-T-07A	1	●	from 2017
3-8	Stand	50317203007	VAL-DS-T-08	1	●	from 2005 N-01
3-9	Return Line	50317203014	VAL-DS-T-09	1	●	from 2006 N-02, till 2012
3-9A		50317203022	VAL-DS-T-09B	1	●	from 2013 C-01
3-10	Hose Clamp	50319202016	VAL-DS-T-10	1	●	from 2006 N-02, till 2012
				2	●	from 2013 C-01
3-11	Return Line (A)	50346203017	VAL-DS-T-11	1	●	70mm from 2013 C-01
3-12	Return Line (B)	50346203018	VAL-DS-T-12	1	●	130mm from 2013 C-01
3-13	Y-shaped Hose Joint	50346203020	VAL-DS-T-13	1	●	from 2013, C-01