

SPARE PARTS LIST

f o r

Infrared oil heater

Model

VAL6

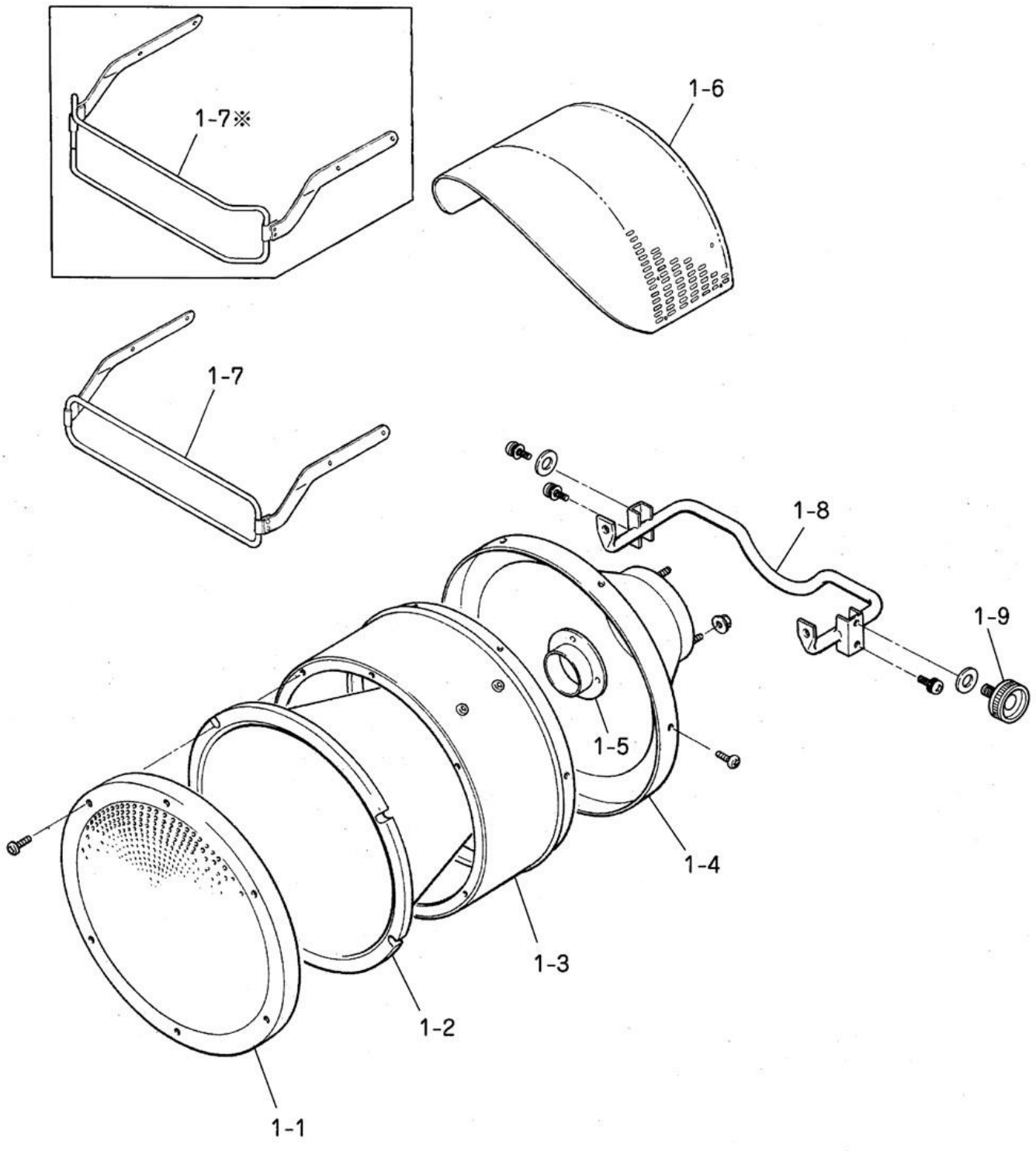
discontinued model

- ◆ KBE1JA for 110-120V 60Hz
(Spare parts supply until 2018)

March 2021

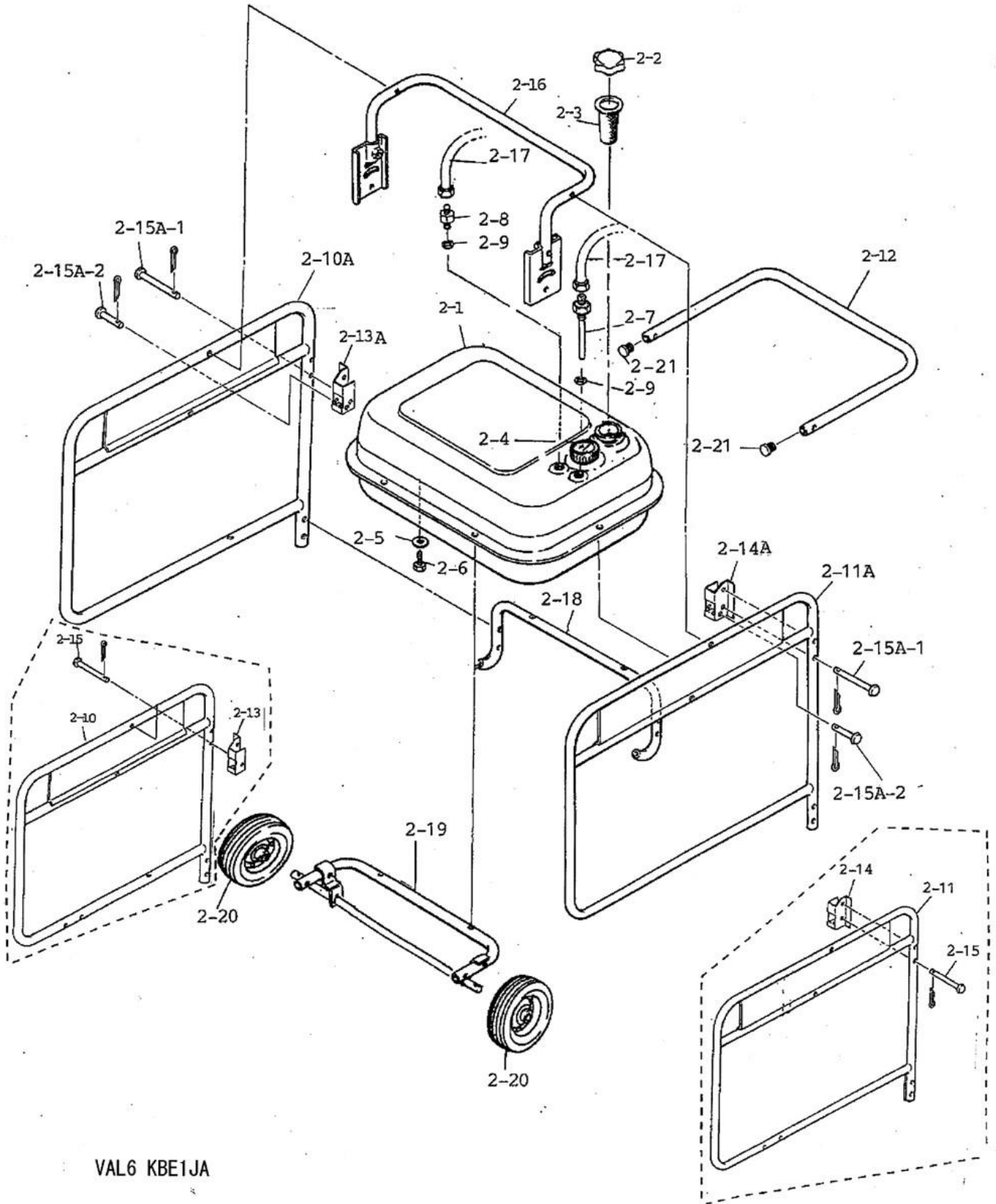
Shizuoka Seiki Co., Ltd.

* PRICES AND SPECIFICATIONS ARE SUBJECT TO CHANGE WITHOUT NOTICE*



VAL6 KBE1JA (Main Unit)

(Fuel tank)



VAL6 KBE1JA

1JA PARTS 2021-2022

Part	PART NAME	CODE NO.	JSO CODE	Q'TY/SET	1JA	REMARKS
1-1	RADIATION DISK	210220001-1	VAL-KSL-R-01	1	•	
1-2	CONICAL INSULATOR	210220001-2	VAL-1JA-R-02	1	•	
1-3	DRUM	210220001-3	VAL-1JA-R-03	1	•	
1-4	CONICAL HOUSING	210220001-4	VAL-1JA-R-04	1	•	
1-5	BURNER FITTING PIECE	210220001-5	VAL-KSL-R-05	1	•	
1-6	VISOR	210220001-6	VAL-1JA-R-06	1	•	
1-7	GUARD RAIL	210220001-7	VAL-1JA-R-07	1	•	for spare part only
1-7*						for new product only
						with brackets and screws
1-8	BURNER STAY	21650100106	VAL-1JA-R-08	1	•	
1-9	ANGLE ADJUSTMENT BOLT	50229202074	VAL-KSL-T-07	1	•	
1-14	CAUTION LABEL PLATE	50298203A05	VAL-KSL-R-04	1	•※	from 2002/03 with 50300203002
2-1	FUEL TANK	50278102007		1	N/A	changed to 50278102002
		50278102002		1	N/A	changed to 50309180001
		50309180001	VAL-1JA-T-01	1	□	57ℓ INCLUDE 2-2(50221103003), 2-3, 2-4(50278102003), 2-5 & 2-6 to 50309180A01
		50309180A01	VAL-1JA-T-01A	1	•	from 2017/18 with 2-2(50335102008) and 2-4(50298202019)
2-2	TANK CAP	50221103003	VAL-KSL-T-18	1	N/A	till 2015 changed to 50335102008
		50335102008	VAL-KSL-T-18A	1	•	from 2016 Z-01
2-3	TANK FILTER	220110002-8	VAL-KSL-T-19	1	•	till 2008/09

1JA PARTS 2021-2022

Part	PART NAME	CODE NO.	JSO CODE	Q'TY/SET	1JA	REMARKS
2-4	FUEL GAUGE	50278102003	VAL-KSL-T-17V	1	•	till 2016/17
		50298202019	VAL-KSL-T-17W	1	•	from 2017/18, used in
2-5	DRAIN PACKING	50231204021	VAL-KSL-T-21	1	•	M16
2-6	DRAIN BOLT	50231204020	VAL-KSL-T-22	1	•	M16
2-7	SUCTION PIPE	50278102004	VAL-1JA-T-07	1	•	
2-8	RETURN NIPPLE	50212205004	VAL-KSL-T-14	1	•	
2-9	SUCTION PACKING	21650100207	VAL-KSL-T-15	2	•	
2-10	FRAME (R)	50260102005		1	N/A	till 2005
2-10A		50309102002	VAL-1JA-T-10A	1	•	from 2006
2-11	FRAME (L)	50260102006		1	N/A	till 2005
2-11A		50309102003	VAL-1JA-T-11A	1	•	from 2006
2-12	HANDLE	50260202009	VAL-1JA-T-12	1	□	till 2005
2-12A		50309202006	VAL-1JA-T-12A	1	•	from 2006
2-13	HANDLE STAY BRACKET (R)	50260202010		1	N/A	till 2005
2-13A		50309202007	VAL-1JA-T-13A	1	•	from 2006
2-14	HANDLE STAY BRACKET (L)	50260202011		1	N/A	till 2005
2-14A		50309202008	VAL-1JA-T-14A	1	•	from 2006
2-15	FIXING PIN	50260202012	VAL-1JA-T-15	2	□	till 2005
2-15A-1	FIXING PIN(L)	50309202009	VAL-1JA-T-15A1	2	•	from 2006 Φ8x60
2-15A-2	FIXING PIN(S)	50309202010	VAL-1JA-T-15A2	2	•	from 2006 Φ8x38
2-16	HOLDER PIPE	21650100213	VAL-1JA-T-16	1	•	
2-17	FUEL HOSE	50220203003	VAL-EPX-2-17	2	•	L=450mm
2-18	TANK LEG	50278202002	VAL-1JA-T-18	1	•	

1JA PARTS 2021-2022

Part	PART NAME	CODE NO.	JSO CODE	Q'TY/SET	1JA	REMARKS
2-19	WHEEL SHAFT ASSEMBLY	50278102008	VAL-1JA-T-19	1	•	
2-20	WHEEL	50201204006	VAL-KSL-T-12	2	•	
2-21	PIPE END CAP	50330202009	VAL-KSL-T-09V	2	•	from 2006
3A	BURNER ASSEMBLY	50323101001		1	N/A	
3-1	NOZZLE(1.0G)	210220003-1	VAL-1JA-B-01	1	•	
3-2	NOZZLE HOLDER	210220003-2	VAL-1JA-B-02	1	•	
3-3	NOZZLE PIPE	210220003-3	VAL-1JA-B-03	1	•	
3-4	ELECTRODE (RH)	210220003-4	VAL-1JA-B-04	1	•	Include 3-93
3-5	ELECTRODE (LH)	210220003-5	VAL-1JA-B-05	1	•	Include 3-93
3-6	ELECTRODE STAY	210220003-6	VAL-1JA-B-06	1	•	
3-7	ELECTRODE FITTING PLATE	210220003-7	VAL-1JA-B-07	2	•	
3-8	ELECTRODE COVER	210220003-8		1	N/A	changed to 213005-03-11
		21300503-11	VAL-1JA-B-08	1	•	
3-9	FUEL FILTER COMP.	210210003-9	VAL-KSL-B-13	1	•	including 21021003-10
		50204201085		1	N/A	from 2004 till 2006
3-10	FILTER ELEMENT	21021003-10	VAL-KSL-B-14	1	•	
		50204201082		1	N/A	from 2004 till 2006
3-11	FILTER BOWL	21021003-11	VAL-1JA-B-11	1	•	
3-12	FILTER BODY	21021003-12	VAL-1JA-B-12	1	•	
3-15	ELBOW NIPPLE	21021003-15	VAL-1JA-B-15	1	N/A	till 2003/04,
3-15A		50305201003	VAL-1JA-B-15A	1	•	from 2004/05
3-16	FILTER NIPPLE	21021003-16	VAL-1JA-B-16	1	□	till 2005/06 →50204201075、
3-16A		50306201010	VAL-1JA-B-16A	1	•	from 2006/07
3-17	FUEL INTAKE LINE	50280202009	VAL-1JA-B-17	1	•	

1JA PARTS 2021-2022

Part	PART NAME	CODE NO.	JSO CODE	Q'TY/SET	1JA	REMARKS
3-18	PUMP ELBOW	50204201025	VAL-DS-B-04	1	•	
3-19	FUEL PUMP w/o AIR VENT VALVE	50322201A02	VAL-1JA-B-190	1	•	VSGX63 from 2006/07
3-19	FUEL PUMP w/ AIR VENT VALVE	50322201002	VAL-1JA-B-19	1	□	
3-22	FUEL OUTLET LINE	50280202010	VAL-1JA-B-22	1	•	
3-23	PUMP NOZZLE GROMMET	21022003-25	VAL-KSL-B-22	1	•	
3-25	HOUSING with Operation/Housing ornament/Name stickers	21021003-25	VAL-1JA-B-25	1	•	include 3-26, 3-28, 3-30
3-26	HOUSING GRIP	21022003-28	VAL-1JA-B-26	1	•	
3-28	HOUSING SEAL (A)	21300503-65	VAL-1JA-B-28	1	•	
3-30	HOUSING FITTING PIECE(A)	21021003-30	VAL-1JA-B-30	2	•	
3-36	SHORT CIRCUIT CORD	50249203047	VAL-KSL-B-31	→※	•	/KBE1JA: 2 pcs till 2004/05, 1pc from 2005/06
3-37	BURNER CONTROL	50291201001	VAL-KSL-B-25	1	N/A	KBE1JA: till 2004/05, changed to 50321204005
		21021003-37		1	N/A	changed to 50204180001
3-37A		50321204003		1	N/A	for 2005/06, changed to 50321204005
3-37B		50321204005	VAL-KSL-B-25B	1	•	from 2006/07
3-38	FUSE HOLDER	50291201004	VAL-1JA-B-38	1	•	
3-39	FUSE HOLDER BRACKET	50291201018	VAL-1JA-B-39	1	•	from 2006/07
		50312201003		1	N/A	till 2005/06
3-41	FUSE (1.6A)	50291201006	VAL-1JA-B-41	1	•	
3-42	CONTROL CHASSIS	22215030015	VAL-1JA-B-42	1	□	till 2006/07(J lot)
3-42A		50306101005	VAL-1JA-B-42A	1	•	from 2007/08 (I lot)

1JA PARTS 2021-2022

Part	PART NAME	CODE NO.	JSO CODE	Q'TY/SET	1JA	REMARKS
3-43	PUMP TRANSFORMER BRACKET	21300503-48	VAL-1JA-B-43	1	•	
3-45A	FACE PLATE with sticker	50306201008	VAL-1JA-B-45A	1	N/A	for 2006/07, changed to 50306101006
		50306101006		1	•	from 2007/08 (1 lot)
3-46	STEP DOWN TRANSFORMER	50300201005	VAL-KSL-B-24	1	•	
3-47	FAN MOTOR	50322201003	VAL-1JA-B-47	1	•	
3-48	FLAME MONITOR	50262 102008	VAL-KSL-B-11	1	□	till 2005/06
3-48A		50306101003	VAL-KSL-B-11A	1	•	from 2006/07
3-49	FLAME MONITOR HOLDER	50262202029	VAL-KSL-B-47	1	•	
3-51	IGNITION TRANSFORMER	50312201004	VAL-1JA-B-51	1	•	with primary leads from 2006/07. 3-92 Noisefilter assembly must be removed when the trans. used till 2005/06 is replaced with new one from 2006/07.
3-52	INSULATING CAP	50291201016	VAL-1JA-B-52	2	•	
3-54	HOUSING END	5028020200A	VAL-1JA-B-54	1	N/A	KBE1JA: till 2005/06
3-54A		50306201006	VAL-1JA-B-54A	1	•	from 2006/07
3-55	HOUSING FITTING PIECE(B)	21021003-55	VAL-1JA-B-55	2	•	
3-56	HOUSING SEAL (B)	21022003-54	VAL-1JA-B-56	1	•	
3-57	BURNER BOSS	21022003-55	VAL-1JA-B-57	1	•	
3-58	BURNER CONE	21022003-56	VAL-1JA-B-58	1	•	
3-59	WHIRL VANE	21022003-57	VAL-1JA-B-59	1	•	
3-69	SWITCH	50291101002	VAL-1JA-B-69	1	•	

1JA PARTS 2021-2022

Part	PART NAME	CODE NO.	JSO CODE	Q'TY/SET	1JA	REMARKS
3-71	POWER CABLE	50312201005		1	N/A	till 2005/06, with plug & 3-73
		503122A1005	VAL-1JA-B-71	1	•	from 2006/07 with mold plug & stopper(D)
3-71A		50323201003		1	N/A	from 2006/07 J-07 with mold 3P plug
		50323204005	VAL-1JA-B-71A	1	□ for 120V	from 2007/08 I-09
3-73	CABLE STOPPER	502212A2028	VAL-1JA-B-73	1	□	110V: till 2005/06
3-73B		50205201017	VAL-KSL-B-20B	1	•	from 2006/2007(D)
3-74	BURNER PACKING	50298 201016	VAL-KSL-R-06	1	•	
3-75	NOZZLE SPANNER	21022003-68	VAL-KSL-B-38-2	1	•	
3-77	WASHER	21022003-45	VAL-NA-B-22	2	□	till 2005/06
3-79	AIR VENT VALVE	21062003-67	VAL-1JA-B-79	1	•	
3-80	RETURN LINE	50291201013	VAL-1JA-B-80	1	•	
3-81	RETURN LINE NIPPLE	21300503-60	VAL-1JA-B-81	1	N/A	discontinued, changed to 50213201007
		50213201007	VAL-EPX-2-16	1	•	
3-82	RUBBER CAP	21021003-82	VAL-1JA-B-82	1	•	dia. 15
3-83	REPAIR SET	50305203-83	VAL-1JA-B-83	1	•	
3-89	O-RING	21021003-13	VAL-KSL-B-38B	1	•	
						changed to 21021003-13
3-90	WASHER	213005003-6	VAL-1JA-B-90	1	•	
3-92	NOISE FILTER ASSEMBLY	50303201011	VAL-1JA-B-92	1	□	till 2005/06
3-93	ELECTRODE NIPPLE	21021003-93	VAL-1JA-B-93	2	•	
3-94	NIPPLE FITTING NUT	21300503-58	VAL-KSL-B-37	1	□	till 2005/06
3-94A		50306201011	VAL-MPX-2-36	2	•	from 2006/07

1JA PARTS 2021-2022

Part	PART NAME	CODE NO.	JSO CODE	Q'TY/SET	1JA	REMARKS
3-97	BURNER CONTROL COVER	22215030013	VAL-1JA-B-97	1	•	
3-98	JACK	50306201002	VAL-1JA-B-98	1	□	till 2005/06
3-99	FACE PLATE BRACKET	21300503-72	VAL-1JA-B-99	1	□	till 2006/07(J lot)
3-101	THERMOSTAT CONNECTOR	50306201007	VAL-1JA-B-101	1	•	from 2006/07 till 2013
3-101 A*	THERMOSTAT CONNECTOR with pin	50306201019		1	•	from D-010100 & 2014(B lot)
3-102	CONTROL SUPPORT	50229201037	VAL-KSL-B-30	4	•	
3-103	CORD PROTECTION PACKING	50229201041	VAL-1JA-B-103	1	•	